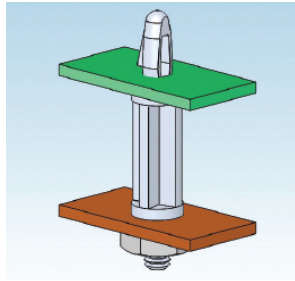
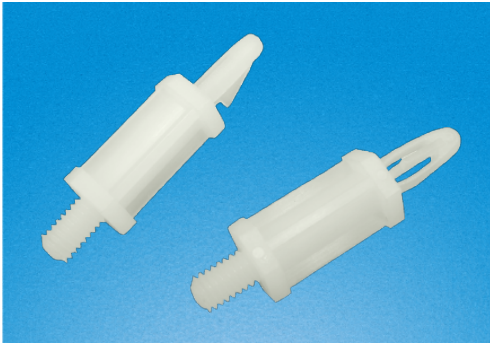


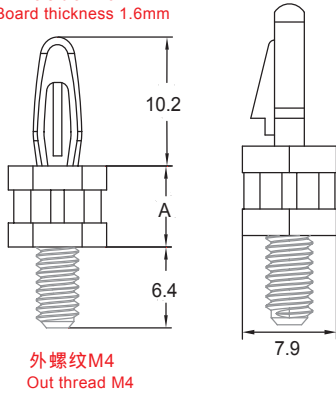
RCCN 日成SCBS4型PC板外螺纹隔离柱 Support Post



材质：UL合格之NYLON66(本色)，
 防火等级:94V-2，绝缘性佳，不易老化。
 Material：UL approved NYLON66(natural)，
 Fireproof: 94V-2，good insulation, good aging resistant

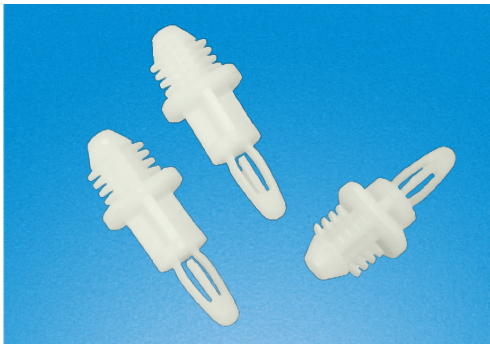
单位/Unit:mm

孔径4.0mm 板厚1.6mm
 Hole dia. 4.0mm
 Board thickness 1.6mm



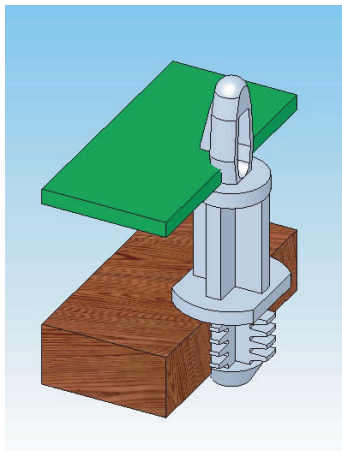
型号 Item No.	头部孔径 Head hole dia.	头部板厚 Head panel thickness	底部孔径 Bottom hole dia.	间距 Instance A	包装 Packing
SCBS4-4.8	4.0	1.6	M4	4.8	1000pcs
SCBS4-6.4	4.0	1.6	M4	6.4	
SCBS4-9.5	4.0	1.6	M4	9.5	
SCBS4-12.7	4.0	1.6	M4	12.7	
SCBS4-15.9	4.0	1.6	M4	15.9	
SCBS4-19.1	4.0	1.6	M4	19.1	
SCBS4-22.2	4.0	1.6	M4	22.2	
SCBS4-25.4	4.0	1.6	M4	25.4	
SCBS4-28.6	4.0	1.6	M4	28.6	
SCBS4-35.7	4.0	1.6	M4	35.7	
SCBS4-45.0B	4.0	1.6	M4	45.0	500pcs
SCBS4-50.0B	4.0	1.6	M4	50.0	

RCCN 日成BS8型PC板隔离柱 Blind Hole Mount Circuit Board Supports

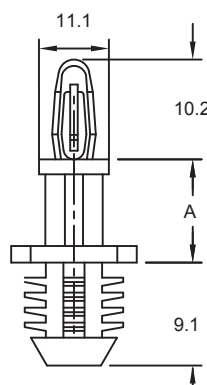


材质：UL合格之NYLON66(本色)。
 防火等级:94V-2，绝缘性佳，不易老化。
 Material：UL approved NYLON66(natural).
 Fireproof 94V-2，good insulation, good aging resistant

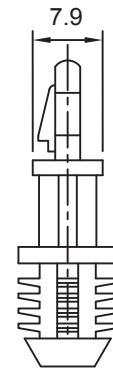
单位/Unit:mm



型号 Item No.	头部孔径 Head hole dia.	头部板厚 Head panel thickness	底部孔径 Bottom hole dia.	底部板厚 Bottom panel thickness	间距 Instance A	包装 Packing
BS8-4.8	4.0	1.6	7.9	6.4	4.8	1000pcs
BS8-6.4	4.0	1.6	7.9	6.4	6.4	
BS8-9.5	4.0	1.6	7.9	6.4	9.5	
BS8-12.7	4.0	1.6	7.9	6.4	11.1	
BS8-15.9	4.0	1.6	7.9	6.4	12.7	
BS8-19.1	4.0	1.6	7.9	6.4	15.9	
BS8-22.2	4.0	1.6	7.9	6.4	19.1	
BS8-25.4	4.0	1.6	7.9	6.4	22.2	



孔径4.0mm 板厚1.6mm
 Hole dia. 4.0mm
 Board thickness 1.6mm



孔径7.9mm 板厚6.4mm
 Hole dia. 7.9mm
 Board thickness 6.4mm